

CHECKLIST INSTALLATION

SERVICE PARTNER - IDENTIFICATION DATES

Company name:	
Company VAT/ABN/ ACN number:	
Company address:	
Company city:	
Company POSTCODE:	
Company phone:	
Company email:	
Full name of the technician in charge of the installation:	

CLIENT - IDENTIFICATION DATES

Client name:	
Client VAT/ABN/ACN/TIN number:	
Client address:	
Client city:	
Client POSTCODE:	
Client phone:	
Client phone:	
Client mail:	
Full name of owner/supervisor/employee that has authorized/supervised the installation:	

INSTALLATION DETAILS

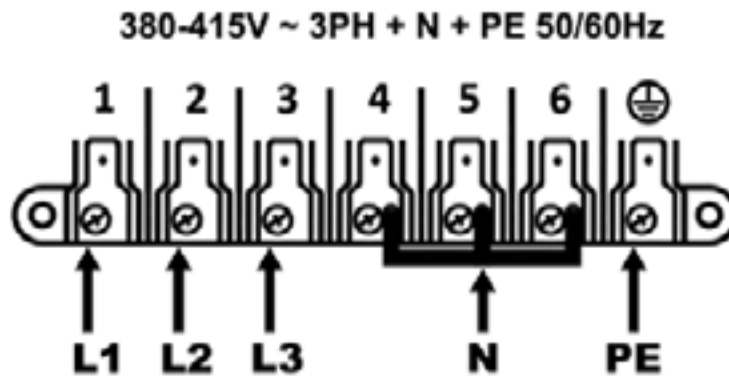
Installation date:	
Product model:	
Product s/n: - IF APPLICABLE -	

CHECK

ELECTRICAL CONNECTION

Connection type

3PH-N-PE



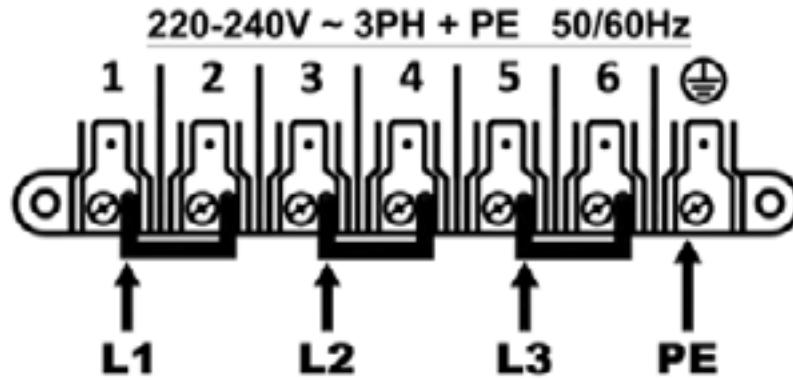
L1-L2	Voltage value [V]	
	Compliant with technical data? NO	YES
L2-L3	Voltage value [V]	
	Compliant with technical data? NO	YES
L1-L3	Voltage value [V]	
	Compliant with technical data? NO	YES
L1-N	Voltage value [V]	
	Compliant with technical data? NO	YES
L2-N	Voltage value [V]	
	Compliant with technical data? NO	YES
L3-N	Voltage value [V]	
	Compliant with technical data? NO	YES
N-PE	Voltage value [V]	
	Compliant with technical data? NO	YES

CHECK

ELECTRICAL CONNECTION

Connection type

3PH-PE



L1-L2	Voltage value [V]	
	Compliant with technical data? NO	YES
L2-L3	Voltage value [V]	
	Compliant with technical data? NO	YES
L1-L3	Voltage value [V]	
	Compliant with technical data? NO	YES
L1-PE	Voltage value [V]	
	Compliant with technical data? NO	YES
L2-PE	Voltage value [V]	
	Compliant with technical data? NO	YES
L3-PE	Voltage value [V]	
	Compliant with technical data? NO	YES

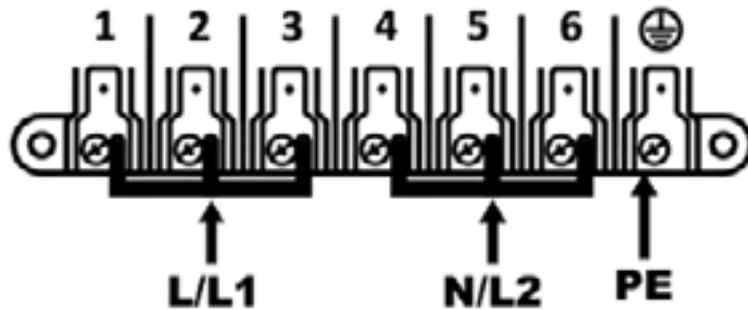
CHECK

ELECTRICAL CONNECTION

Connection type

1PH-N-PE

220-240V ~ 1PH + N + PE 50/60Hz



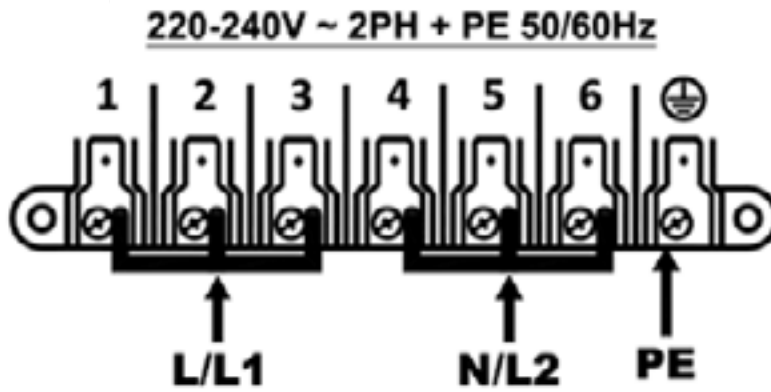
L/L1-N/L2	Voltage value [V]	
	Compliant with technical data? NO	YES
L/L1-PE	Voltage value [V]	
	Compliant with technical data? NO	YES
N/L2-PE	Voltage value [V]	
	Compliant with technical data? NO	YES

CHECK

ELECTRICAL CONNECTION

Connection type

2PH-PE



L/L1-N/L2	Voltage value [V]	
	Compliant with technical data? NO	YES
L/L1-PE	Voltage value [V]	
	Compliant with technical data? NO	YES
N/L2-PE	Voltage value [V]	
	Compliant with technical data? NO	YES

CHECK

WATER CONNECTION		
Static inlet pressure:		
	Compliant with technical data?	NO YES
Inlet temperature:		
	Compliant with technical data?	NO YES
The filter is connected to the STEAM line: NO YES		
<p>It is the sole responsibility of the owner/operator/purchaser of this equipment to verify that the incoming water supply is comprehensively tested for, at least:</p> <ul style="list-style-type: none"> • Free Chlorine • Cloramine • TDS (Total Dissolved Solids) • Silica • pH • TH (Total Hardness) • Chlorides • Alkalinity <p>and, if required, to provide a means of water treatment that would meet the minimum requirements of the UNOX water quality standards as outlined on the product spec sheet. These requirements can be found in the product SPEC SHEET and installation manuals.</p> <p>Noncompliance with these minimum standards will potentially damage the equipment and/or its components and VOID the original equipment manufacturer's warranty.</p>		
Is the water quality compliant with UNOX request:	NO	YES
Is there a filter before the oven:	NO	YES

TRANSPORT

OPERATION	PASS	FAIL	N/A	NOTES
Was the device delivered undamaged?				
Has the ordered product been delivered?				
Is the packaging intact?				

ASSEMBLY, POSITIONING AND LEVELLING

OPERATION	PASS	FAIL	N/A	NOTES
Does the positioning comply with the manual requirements?				
(If necessary) Does the niche fastening comply with the manual requirement?				
Is the device correctly levelled?				
Has the column been assembled correctly?				

ELECTRICAL CONNECTION

OPERATION	PASS	FAIL	N/A	NOTES - MEASURED VALUES
Does the electrical connection comply with UNOX requirements?				
Does the electrical connection comply with the installation requirements?				
Is the device a dedicated plug?				
Does the device have a dedicated circuit breaker?				
Cut back circuit breaker.				
Does the device have a dedicated earth leakage circuit breaker?				

WATER CONNECTION

OPERATION	PASS	FAIL	N/A	NOTES - MEASURED VALUES
Measure the conductivity of the water upstream of the filter, report the value and check that it complies with UNOX requirements.				
Measure the total water hardness upstream of the filter, report the value and check that it meets UNOX requirements.				
Measure the chlorides in the water upstream of the filter, report the value and check that it complies with UNOX requirements.				
Measure the conductivity of the water downstream of the filter, report the value and check that it complies with UNOX requirements.				

Measure the total water hardness downstream of the filter, report the value and check that it complies with UNOX requirements.				
Measure the chlorides in the water downstream of the filter, report the value and check that it complies with UNOX requirements.				

UNLOADING AND INSTALLATION SITE

OPERATION	PASS	FAIL	N/A	NOTES
Does the drain connection comply with UNOX requirements?				
Does the ambient temperature comply with UNOX requirements?				
Does the ventilation and ventilation of the installation site conform to local and national regulatory requirements?				

MACHINE START-UP

OPERATION	PASS	FAIL	N/A	NOTES
Has the installation guide been followed?				
Has the humidity calibration been carried out?				
Has the FW been updated to the latest version? Report installed version in the NOTES field.				
Has the detergent tank been filled?				
Has the functioning of the heart probe been verified?				
Has a washing been carried out?				

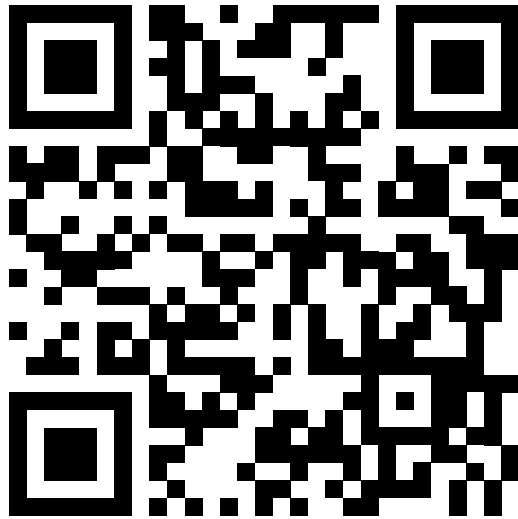
Date:

Time:

Site details:

Owner/Supervisor/Employee name and signature:

Technician's name and signature:



Scan the QR code to download the fillable PDF
of the installation report.